

FIFISH V6

HDMI BOX Set-Up

Connection Demonstration

AC Adapter
HDMI BOX



HDMI
Output

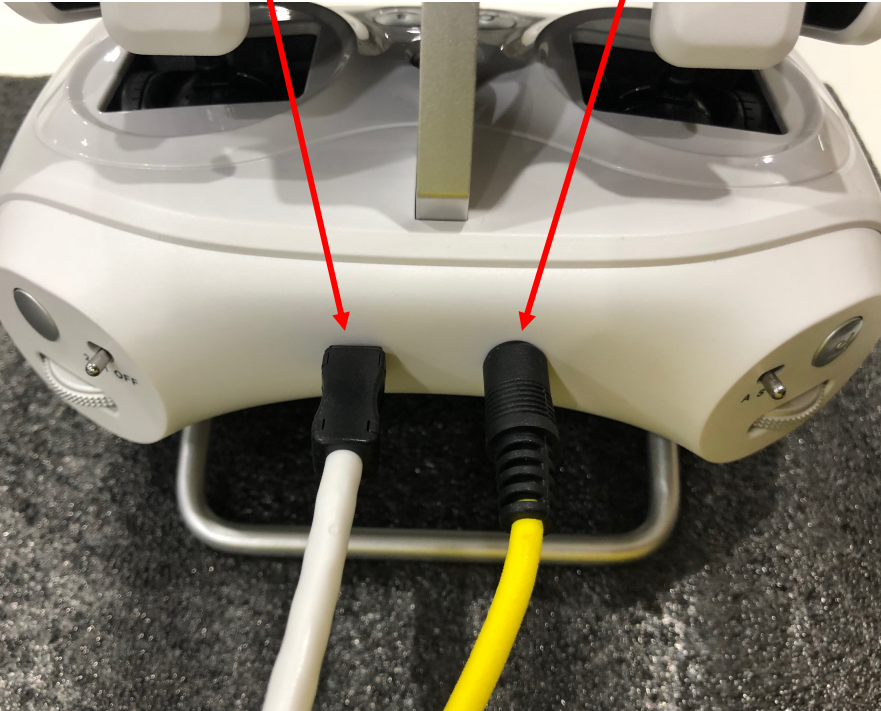
Ethernet
Port

Mini USB

Connection Demonstration in Details

Ethernet Cable
to HDMI Box

Tether
to ROV



Remote Controller (RC)

Ethernet Cable
to RC

HDMI Output
to HDTV

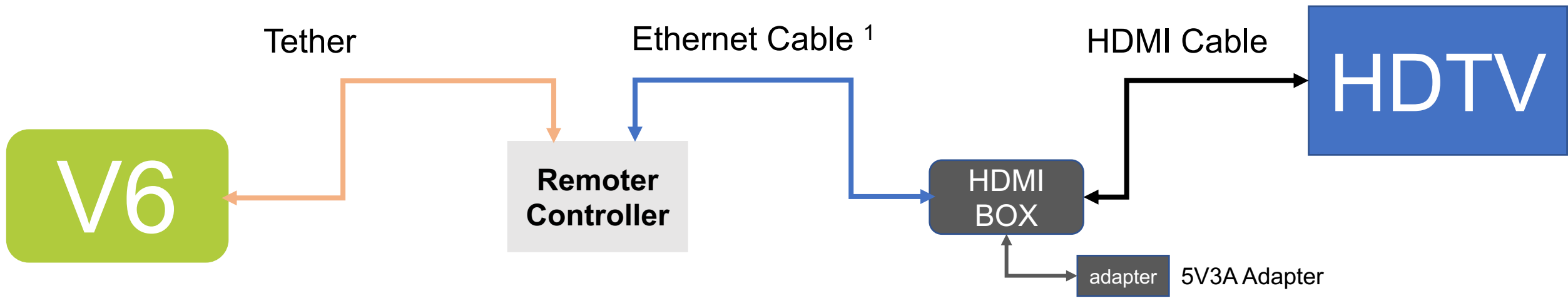


HDMI Box

HDMI Output
connected
HDTV



HDTV



Notes:

1. Insert the mini USB port of White Ethernet Cable into the RC's Ethernet Port (#11 on Quick Start Guide, Page 3)
2. Ethernet Cable (White) RJ45 port insert on the HDMI Box

Getting start:

1. Hardware connection (See Quick Start Guide, Page 5 to 7, step A to F)
2. Connect the HDMI Box, TV and RC as picture above
3. Select the source is HDMI (some TV has more than one HDMI port, make sure it is the port from HDMI Box)
4. Turn ON the HDMI Box by press the power button on the Adapter, 10 seconds later the LIVE-Stream is on the TV.

PS:

1. When HDMI Box is ON, only one more device can have the LIVE-Streaming on FIFISH APP
2. The default resolution is 1080P 60fps when HDMI Box is on. **(PLEASE DO NOT CHANGE THE RESOLUTION ON FIFISH APP!)**
3. The HDTV latency is about 500 ms
4. HDMI Box support hot swapping, the streaming will be back on when the connection is good.